

CITYSCAPE

ARCHITECTURAL PRODUCTS

SITE FURNISHINGS
DYLAN MYERS COLLECTION



Hand crafted precast amenities

Our Site Furnishings from the Dylan Myers collection are hand crafted in the USA. Handmade pieces often have a special charm and attention to detail that can be hard to find in mass-produced items. Our Bespoke site furnishings are made with high-quality materials and finishes that ensures durability and a beautiful aesthetic, that enhances any environment.

In today's world, where sustainability is a growing concern, it's crucial for companies to prioritize eco-friendly practices. By emphasizing sustainability in your products, Cityscape Architectural Products shows a commitment to minimizing environmental impact and promoting responsible design choices. This approach can help contribute to a more sustainable and greener future.



About the Artist: Dylan Myers

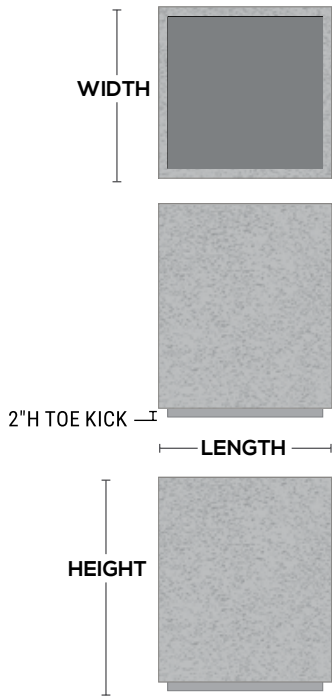
Over a decade ago, Dylan Myers stumbled upon his true passion by chance.

After growing tired of his previous career as a general contractor, he found solace in creating handcrafted furniture and experimenting with concrete on weekends. He quickly realized that this newfound pastime was more than just a hobby; it was his calling.

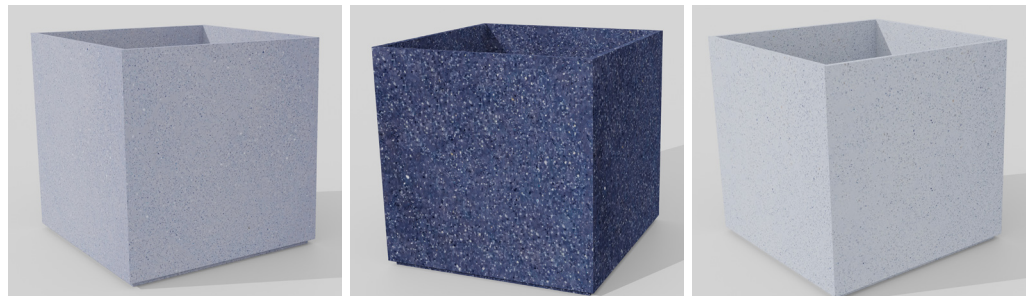
Driven by his passion and a desire to excel, Dylan took a leap of faith and dedicated himself to mastering the craft of concrete artistry. Through tireless effort and an unyielding commitment to quality and innovation, Dylan has become one of the industry's most respected and sought-after concrete specialists. His stunning, modern creations are not only visually striking, but they're also built to last, cementing his reputation as a true master of his trade.

BELLEVUE PLANTER COLLECTION

- Durable Glass Fiber Reinforced Concrete
- 75% lighter than cast concrete
- Standard toe kick
- Toe kick can accommodate lighting
- Drain holes standard

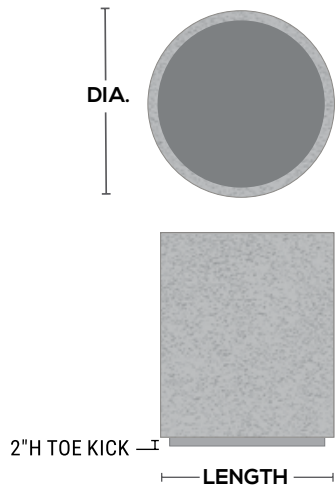


LENGTH	WIDTH	HEIGHT	WEIGHT (LBS.)	VOLUME (CUBIC FT.)	INTERIOR TOP	INTERIOR BOTTOM
18"	18"	30"	115	5.2	15" x 15"	16.5" x 16.5"
24"	24"	24"	225	7	21" x 21"	19.5" x 19.5"
24"	24"	48"	240	14.9	21" x 21"	22.5" x 22.5"
30"	30"	27"	275	11	26" x 26"	24.5" x 24.5"
30"	30"	54"	390	26.4	26" x 26"	28.5" x 28.5"
36"	36"	30"	430	21	31" x 31"	30.5" x 30.5"
48"	48"	36"	700	45	43" x 43"	42.5" x 42.5"
48"	48"	24"	500	26.5	43" x 43"	42.5" x 42.5"
60"	60"	42"	1050	51	55" x 55"	54.5" x 54.5"
72"	72"	42"	1250	112.5	67" x 67"	66.5" x 66.5"



PARC PLANTER COLLECTION

- Durable Glass Fiber Reinforced Concrete
- 75% lighter than cast concrete
- Toe kick visually lifts planter
- Toe kick can accommodate lighting
- Drain holes standard



DIA.	HEIGHT	WEIGHT (LBS.)	VOLUME (CUBIC FT.)	INTERIOR TOP	INTERIOR BOTTOM
18" dia	30"	95	3.5	15" x 15"	16.5" x 16.5"
24" dia	24"	130	5.5	21" dia	19.5" dia
24" dia	48"	190	10.6	21" x 21"	22.5" x 22.5"
30" dia	27"	185	10	27" dia	24.5" dia
30" dia	54"	285	19.2	26" x 26"	28.5" x 28.5"
36" dia	30"	275	16.5	31.5" dia	30.5" dia
42" dia	33"	340	25	37.5" dia	36.5" dia
48" dia	36"	445	32.5	43.5" dia	42.5" dia
60" dia	36"	590	52	55.5" dia	54.5" dia
72" dia	42"	865	86.5	67" dia	66.5" dia



PARC COLLECTION SEAT

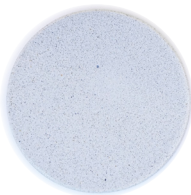
- Durable Glass Fiber Reinforced Concrete
- 75% lighter than cast concrete



MOXY #3



BLACK #7



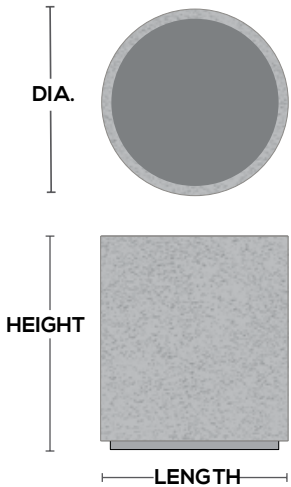
WHITE #7



COR-TEN



BLUE #7



SHAPE	DIA.	HEIGHT	WEIGHT (LBS.)
Cylinder	16" dia	18"	65
Cylinder	18" dia	18"	74.2
Cylinder	22" dia	22"	111.3
Cylinder	33" dia	20"	171.2
Cylinder	48" dia	20"	282.5





CITYSCAPE
ARCHITECTURAL PRODUCTS

WWW.CITYSCAPEPRODUCTS.COM