

Aluminum Rail System

*INTEGRATED SYSTEM FOR BOTH INSTALLATION OF IRREGULAR SIZED
PAVERS, TILE, AND DECKING AS WELL AS ADDED STRUCTURAL SUPPORT*

The Cityscape Aluminum Rail System is designed for two main purposes, but is not limited to these applications:

- Installation of plank style and irregular shaved pavers.
- Additional structural support for the pedestal system.

It is a modular rail support system that clips into the Crossrail Headpiece which is used on the LevelPro pedestal. This ensures the rail is securely attached to the pedestal and cannot easily be removed. The Top Rail Headpiece is then attached to the top of the rail and can freely slide up and down depending on the size of your paver, tile, or stone material.

The rails can be easily cut onsite to fabricate to exact lengths needed in certain areas. Each rail is joined together using the joist connectors which are inserted into each end. The rails are lightweight, easy to handle, and reduce the amount of pedestals needed.

Available Lengths:

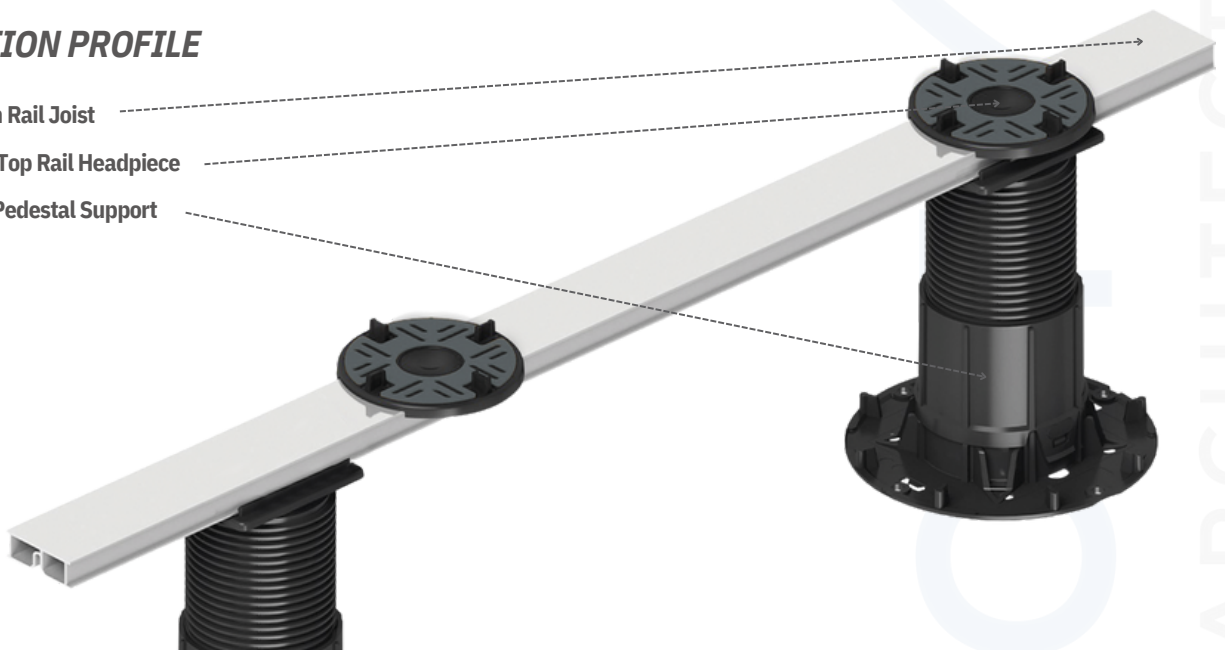
- 1 Meter (39.4")
- 2 Meters (78.74")

Aluminum Rail Dimensions:

- Thickness / Height - 20mm (0.79")
- Width - 60mm (2.36")

INSTALLATION PROFILE

1. Aluminum Rail Joist
2. Standard Top Rail Headpiece
3. LevelPro Pedestal Support





WHAT ARE THE MAIN BENEFITS?

- Adds structural stability
- Increases weight capacity
- Allows installation of narrow plank pavers.
- Reduces pedestals required (spacing recommended at 24" O.C.)

