

Manufacturer's Note:

These are most commonly sold in kits. The ARKIT includes 4 (2 Meter) Rails, 4 Joist Connectors, & 40 ARHs (Top Rail Headpieces). The LPC401-414 pedestals would need to be purchased separately.



Data Sheet

ARH2-4 Top Rail Headpiece

**To be used on the EasyRail Aluminum Joist system
**ARH4 pictured below*



Function

The ARH Top Rail Headpiece has been designed to specifically be used on the EasyRail Aluminum Joist system for laying pavers or tile. The Top Rail Headpiece has two clips on the underside which when pressed onto the EasyRail Aluminum Joist will clip in and lock the headpiece into place. The Top Rail Headpiece can then be moved up and down the EasyRail Aluminum Joist to adjust depending on the size of the paver/tile being installed on top. The leveler on the top (seen in grey in picture above) is made of anti-shock rubber to reduce noise from foot traffic and stabilize the paver/tile sitting on top.

Tab Spacer thicknesses are available in 2mm, 3mm, or 4mm depending on the desired joist spacing. The tab spacers can be removed by snapping them off with the TopKey, pliers, or using your fingers.

Performance

The materials used to produce LevelPro products have good resistance to acidic, basic solutions and atmospheric agents such as bad weather, air exposure, UV exposure. Reaction to fire classification of the pedestal and of the anti-shock rubber shim: E(fl). Their mechanical features stay the same over time.

Operating Temperature

-40 F - +167 F (-40 C - +75 C)

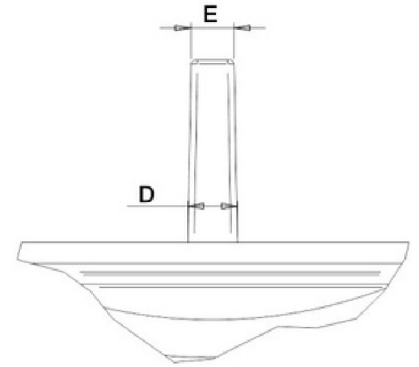
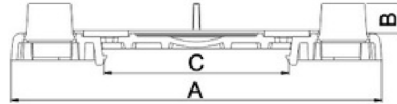
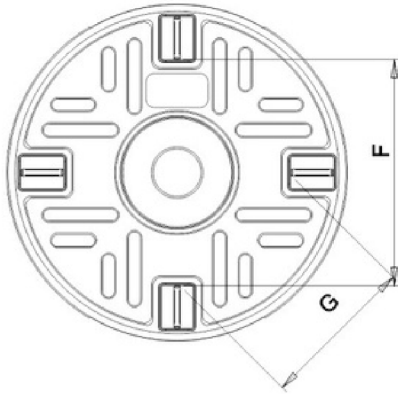
Product Raw Material

The LevelPro pedestals are comprised of 80% polypropylene and 20% Talc. Talc is specifically used for strengthening and reinforcing the polypropylene.

All plastic utilizes 100% recycled and recyclable material.

Data Sheet
ARH2-4 Top Rail Headpiece

**To be used on the EasyRail Aluminum Joist system*



INCHES

	Ref.	A	B	C	D	E	F	G	H	I
1	ARH2	4.72"	0.4"	2.39"	0.1"	0.08"	-	-	-	-
2	ARH3	4.72"	0.4"	2.39"	0.14"	0.12"	-	-	-	-
3	ARH4	4.72"	0.4"	2.39"	0.18"	0.16"	-	-	-	-

MILLIMETERS

	Ref.	A	B	C	D	E	F	G	H	I
1	ARH2	120	10	60.7	2.4	2.1	-	-	-	-
2	ARH3	120	10	60.7	3.5	3.0	-	-	-	-
3	ARH4	120	10	60.7	4.5	4.0	-	-	-	-