

Data Sheet

LP406-414 Pedestal Series



Function

The LevelPro series LP406 - LP414 pedestal support has been designed for the installation of any type of paver, tile, stone, or similar application on any firm surface, allowing the underlying inspection of the various systems and potential waterproofing, with no need to carry out any demolition. Beyond LP406, the tower extension drop and clip system is used to achieve the higher heights. Each tower extension adds another 4" of height.

Thanks to the innovative system of adjustment from above, the perfect final levelling of the floor with millimetric height adjustment is obtained by using the TopKey key, in addition to the self-levelling capacity of the head which corrects slope up to 5%.

To complete the absolute versatility of the system, 2 rings with different functions are supplied: the Level Lock (LP-LL) in case it is necessary to compensate for the self-levelling effect of the head, and the Rotation Lock (LP-RL) in case it is necessary to adjust the height on the sides as in the case of installation in the center of the tile/paver. Both rings are fixed to the head of the support and can be used individually or combined. The included 2 mm thick rubber leveler, to be applied over the head, reduces the foot-traffic noise by reducing contact between the tile/paver and the head.

Range

LP406: 5" - 8.875" (125mm - 225mm)
 LP407: 8.875" - 12.75" (225mm - 325mm)
 LP408: 12.75" - 16.75" (325mm - 425mm)
 LP409: 16.75" - 20.75" (425mm - 525mm)
 LP410: 20.75" - 24.75" (525mm - 625mm)
 LP411: 24.75" - 28.5" (625mm - 725mm)
 LP412: 28.5" - 32.5" (725mm - 825mm)
 LP413: 32.5" - 36.25" (825mm - 925mm)
 LP414: 36.25" - 40" (925mm - 1025mm)

Performance

The materials used to produce LevelPro products have good resistance to acidic, basic solutions and atmospheric agents such as bad weather, air exposure, UV exposure. Reaction to fire classification of the pedestal and of the anti-shock rubber shim: E(fl). Their mechanical features stay the same over time.

Operating Temperature

-40 F - +167 F (-40 C - +75 C)

Product Raw Material

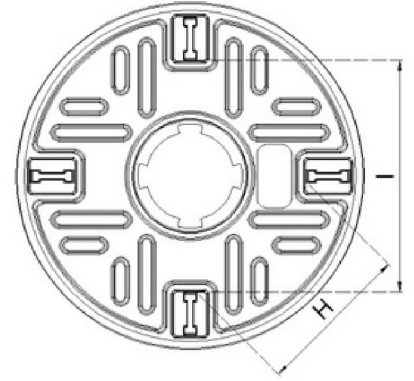
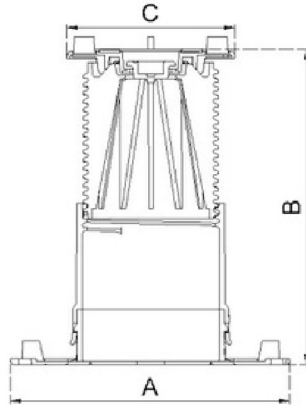
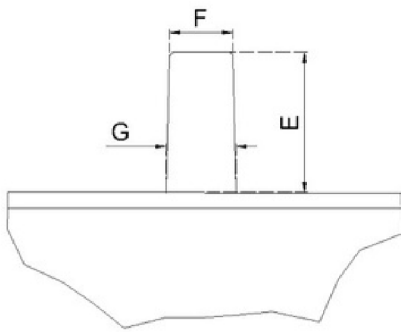
The LevelPro pedestals are comprised of 80% polypropylene and 20% Talc. Talc is specifically used for strengthening and reinforcing the polypropylene.

All plastic utilizes 100% recycled and recyclable material.

Weight Capacity

2,204 lbs / pedestal (1,000 kgs)

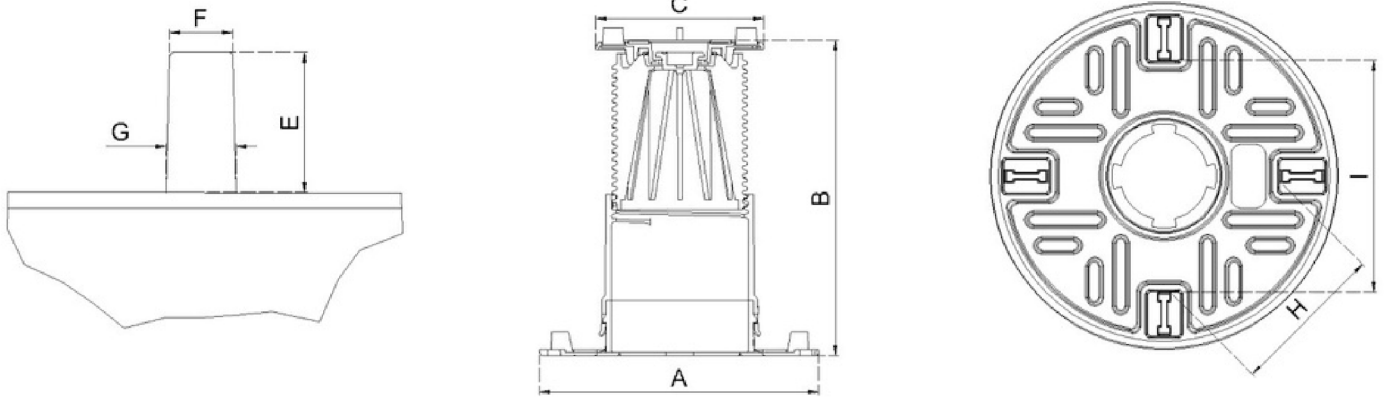
Data Sheet
LP406-414 Pedestal Series



INCHES

	Pedestal	A	B	C	D	E	F	G	H	I
1	LP406	7.87"	5-8.875"	4.72"	-	0.4"	0.16"	0.18"	2"	3.15"
2	LP407	7.87"	8.875-12.75"	4.72"	-	0.4"	0.16"	0.18"	2"	3.15"
3	LP408	7.87"	12.75-16.75"	4.72"	-	0.4"	0.16"	0.18"	2"	3.15"
4	LP409	7.87"	16.75-20.75"	4.72"	-	0.4"	0.16"	0.18"	2"	3.15"
5	LP410	7.87"	20.75-24.75"	4.72"	-	0.4"	0.16"	0.18"	2"	3.15"
6	LP411	7.87"	24.75-28.5"	4.72"	-	0.4"	0.16"	0.18"	2"	3.15"
7	LP412	7.87"	28.5-32.5"	4.72"	-	0.4"	0.16"	0.18"	2"	3.15"
8	LP413	7.87"	32.5-36.25"	4.72"	-	0.4"	0.16"	0.18"	2"	3.15"
9	LP414	7.87"	36.25-40"	4.72"	-	0.4"	0.16"	0.18"	2"	3.15"

Data Sheet
LP406-414 Pedestal Series



MILLIMETERS

	Pedestal	A	B	C	D	E	F	G	H
1	LP406	200.0	125-225	120.0	-	10.0	4.0	4.5	53.6 80.0
2	LP407	200.0	225-325	120.0	-	10.0	4.0	4.5	53.6 80.0
3	LP408	200.0	325-425	120.0	-	10.0	4.0	4.5	53.6 80.0
4	LP409	200.0	425-525	120.0	-	10.0	4.0	4.5	53.6 80.0
5	LP410	200.0	525-625	120.0	-	10.0	4.0	4.5	53.6 80.0
6	LP411	200.0	625-725	120.0	-	10.0	4.0	4.5	53.6 80.0
7	LP412	200.0	725-825	120.0	-	10.0	4.0	4.5	53.6 80.0
8	LP413	200.0	825-925	120.0	-	10.0	4.0	4.5	53.6 80.0
9	LP414	200.0	925-1025	120.0	-	10.0	4.0	4.5	53.6 80.0