

## Data Sheet

### LPC406-414 Pedestal Series

*\*For aluminum rail EasyRail system*

*\*\*LPC406 pictured below*



#### Function

The LevelPro series LPC406 - LPC414 pedestal support w/ the Cross Rail Headpiece has been specifically designed to be used with the installation of the aluminum rail joist EasyRail system. The raised system allows for the underlying inspection of the various systems and potential waterproofing, with no need to carry out any demolition. Beyond LPC406, the tower extension drop and clip system is used to achieve the higher heights. Each tower extension adds another 4" of height.

Final levelling of the floor is possible thanks to the millimetric height adjustment obtained by rotation of the base, in addition to the self-levelling capacity of the head which corrects slope up to 5%.

To complete the absolute versatility of the system, 2 rings with different functions are supplied: the Level Lock (LP-LL) in case it is necessary to compensate for the self-levelling effect of the head, and the Rotation Lock (LP-RL) in case it is necessary to adjust the height on the sides as in the case of installation in the center of the tile/paver. Both rings are fixed to the head of the support and can be used individually or combined. The included 2 mm thick rubber leveler, to be applied over the head, reduces the foot-traffic noise by reducing contact between the tile/paver and the head.

#### Compatibility

To be used in conjunction with the aluminum joist EasyRail system

#### Range

LPC406: 5" - 8.875" (125mm - 225mm)	LPC411: 24.75" - 28.5" (625mm - 725mm)
LPC407: 8.875" - 12.75" (225mm - 325mm)	LPC412: 28.5" - 32.5" (725mm - 825mm)
LPC408: 12.75" - 16.75" (325mm - 425mm)	LPC413: 32.5" - 36.25" (825mm - 925mm)
LPC409: 16.75" - 20.75" (425mm - 525mm)	LPC414: 36.25" - 40" (925mm - 1025mm)
LPC410: 20.75" - 24.75" (525mm - 625mm)	

#### Performance

The materials used to produce LevelPro products have good resistance to acidic, basic solutions and atmospheric agents such as bad weather, air exposure, UV exposure. Reaction to fire classification of the pedestal and of the anti-shock rubber shim: E(fl). Their mechanical features stay the same over time.

#### Operating Temperature

-40 F - +167 F (-40 C - +75 C)

#### Product Raw Material

The LevelPro pedestals are comprised of 80% polypropylene and 20% Talc. Talc is specifically used for strengthening and reinforcing the polypropylene.

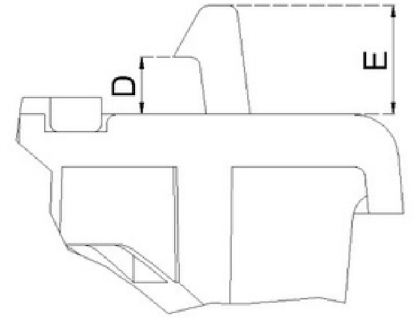
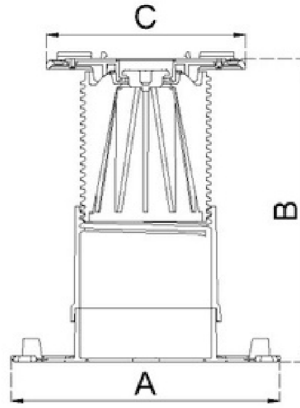
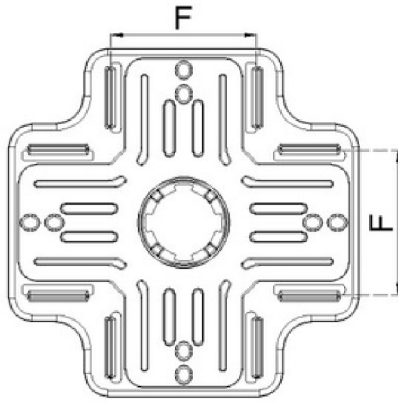
All plastic utilizes 100% recycled and recyclable material.

#### Weight Capacity

2,204 lbs / pedestal (1,000 kgs)

**Data Sheet**  
**LPC406-414 Pedestal Series**

*\*For aluminum rail EasyRail system*

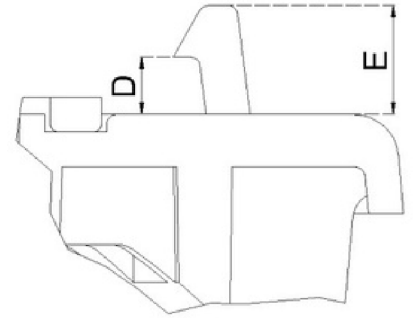
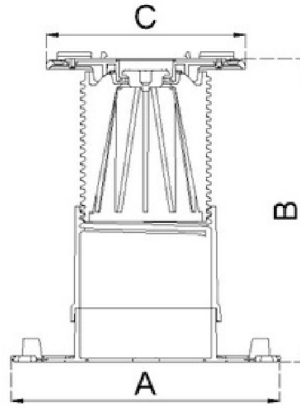
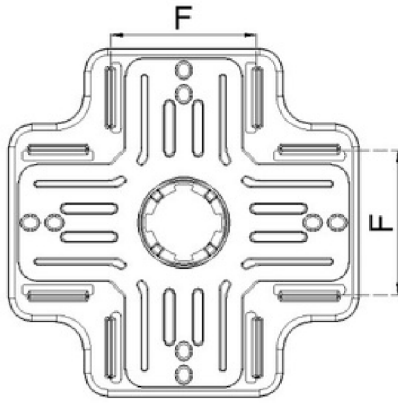


**INCHES**

	<b>Pedestal</b>	<b>A</b>	<b>B</b>	<b>C</b>	<b>D</b>	<b>E</b>	<b>F</b>	<b>G</b>	<b>H</b>	<b>I</b>
1	LPC406	7.87"	5-8.875"	5.83"	0.13"	0.25"	2.39"	-	-	-
2	LPC407	7.87"	8.875-12.75"	5.83"	0.13"	0.25"	2.39"	-	-	-
3	LPC408	7.87"	12.75-16.75"	5.83"	0.13"	0.25"	2.39"	-	-	-
4	LPC409	7.87"	16.75-20.75"	5.83"	0.13"	0.25"	2.39"	-	-	-
5	LPC410	7.87"	20.75-24.75"	5.83"	0.13"	0.25"	2.39"	-	-	-
6	LPC411	7.87"	24.75-28.5"	5.83"	0.13"	0.25"	2.39"	-	-	-
7	LPC412	7.87"	28.5-32.5"	5.83"	0.13"	0.25"	2.39"	-	-	-
8	LPC413	7.87"	32.5-36.25"	5.83"	0.13"	0.25"	2.39"	-	-	-
9	LPC414	7.87"	36.25-40"	5.83"	0.13"	0.25"	2.39"	-	-	-

**Data Sheet**  
**LPC406-414 Pedestal Series**

*\*For aluminum rail EasyRail system*



**MILLIMETERS**

	<b>Pedestal</b>	<b>A</b>	<b>B</b>	<b>C</b>	<b>D</b>	<b>E</b>	<b>F</b>	<b>G</b>	<b>H</b>
1	LPC406	200,0	125-225	148.1	3.3	6.3	60.7	-	-
2	LPC407	200,0	225-325	148.1	3.3	6.3	60.7	-	-
3	LPC408	200,0	325-425	148.1	3.3	6.3	60.7	-	-
4	LPC409	200,0	425-525	148.1	3.3	6.3	60.7	-	-
5	LPC410	200,0	525-625	148.1	3.3	6.3	60.7	-	-
6	LPC411	200,0	625-725	148.1	3.3	6.3	60.7	-	-
7	LPC412	200,0	725-825	148.1	3.3	6.3	60.7	-	-
8	LPC413	200,0	825-925	148.1	3.3	6.3	60.7	-	-
9	LPC414	200,0	925-1025	148.1	3.3	6.3	60.7	-	-