

CITYSCAPE

ARCHITECTURAL PRODUCTS

the right support



LevelPro

1 (883) 888-0986
WWW.CITYSCAPEPRODUCTS.COM



LevelPro



ALL IN 1 SYSTEM



MINIMUM HEIGHT



LOAD CAPACITY UP TO 2,204 LBS

1 ADJUSTMENT FROM ABOVE

2 SLOPE CORRECTION UP TO 5%

3 FROM 1" - 40" WITH ONLY 14 ITEMS

4 AVAILABLE WITH 2, 3 AND 4 MM TABS

For a fast adjustment from above

The key simplifies the laying by reducing the adjustment times and, together with the self-levelling heads, allows to set a perfect levelness.



SELF-LEVELLING HEAD

SCREW

RING NUT

EXTENSION

BASE



LevelPro

SELF-LEVELING · SUPPORT

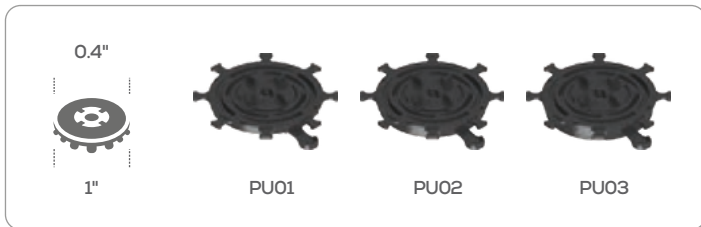


BALANCE PRO SELF-LEVELLING HEAD
WITH STOP LEVELLING SYSTEM



ADJUSTABLE FROM THE TOP

PRIMEUP



ACCESSORIES



LEVELPRO · SERIES



Advantages

PEDESTAL LINE BENEFITS AND FEATURES



RANGE

Adjustable supports with heights between 10 and 1025 mm and fixed supports from 3 to 15 mm



CUSTOM-MADE

Full range of products and accessories that can be combined in several solutions



LOAD CAPACITY

Load capacity from 400 to 1000 kg for each support



ECO FRIENDLY

Made from controlled, recycled industrial plastic materials that can be recycled again



TILE & DECKING

Specific headpieces for tile flooring (stone and ceramic) and decking (wood and synthetic material)



LIGHTWEIGHT

The final flooring is lighter compared to traditional systems



TEMPERATURES

Can be used in environments with temperatures ranging from 40°C to +75°C



ECONOMICAL

Completely eliminates the demolition costs for existing flooring



VERSATILITY

Full range of compatible solutions between the various ranges



QUICK

Easy installation, also optimized for height adjustment after laying



DRAINAGE

The joints between the tiles ensure quick and natural drainage



LEVELNESS

Millimetric adjustment, elimination of slopes from the installation surface and perfect final levelness



WIRING

Allows for the installation of systems under the flooring



INSULATION

It acts as thermal insulator, reduces the transmission of noise and absorbs movements



PROTECTION

Full elimination of any damage to the waterproofing of the underlying surface



DURABILITY

Through to natural ventilation, it guarantees improved durability of the wood over time



ACCESS FOR INSPECTIONS

Allows for the inspection and maintenance of the underlying waterproofing without the need for demolition



Applications

WHERE & WHEN YOU CAN USE LEVELPRO SUPPORTS

USES CLASSIFICATION

- terraces
- pool decks
- roof decks
- patios
- walkways

WHERE TO INSTALL IT

- on pre-existing floor without demolition
- on any type of waterproofing
 - bituminous membrane
 - synthetic felts
 - liquid membrane
- on thermal insulation in inverted roofs
- on cement slab
- on stabilized gravel
- on fountains, swimming pools and water features

COMPATIBLE FINISHINGS

- ceramic tiles
- natural stones
- marble and granite
- prefabricated concrete slabs
- decking and wooden planks
- decking and planks made of composite wood
- all self-supporting materials that can withstand elevation



LevelPro

SELF-LEVELLING HEAD LEVELPRO

The particular shape of LevelPro's self-levelling mechanism, result of research and development, allows to obtain high-ranking laying performances both for speed of installation and for stability when using the finishing flooring.

With the brand-new LevelPro, the concave and convex parts of the head and screw allow the self-levelling movement during the laying but minimizing the sliding once the final floor has been laid, thus ensuring levels of stability never reached before by an outdoor raised floor.



ROTATION LOCK

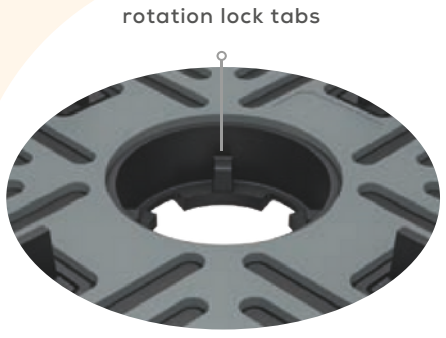
The twist lock-ring fixes the movement of the head necessary for the regulation from above with the TopKey, allowing the switch to the lateral- adjustment mode which is useful in the cases where an additional support is positioned at the center of a large tile. It is therefore sufficient to insert the twist lock-ring in the special slot in the center of the LevelPro head to permit the adjustment of the support without having to remove the tile. The two rings can be used simultaneously.



LEVEL LOCK

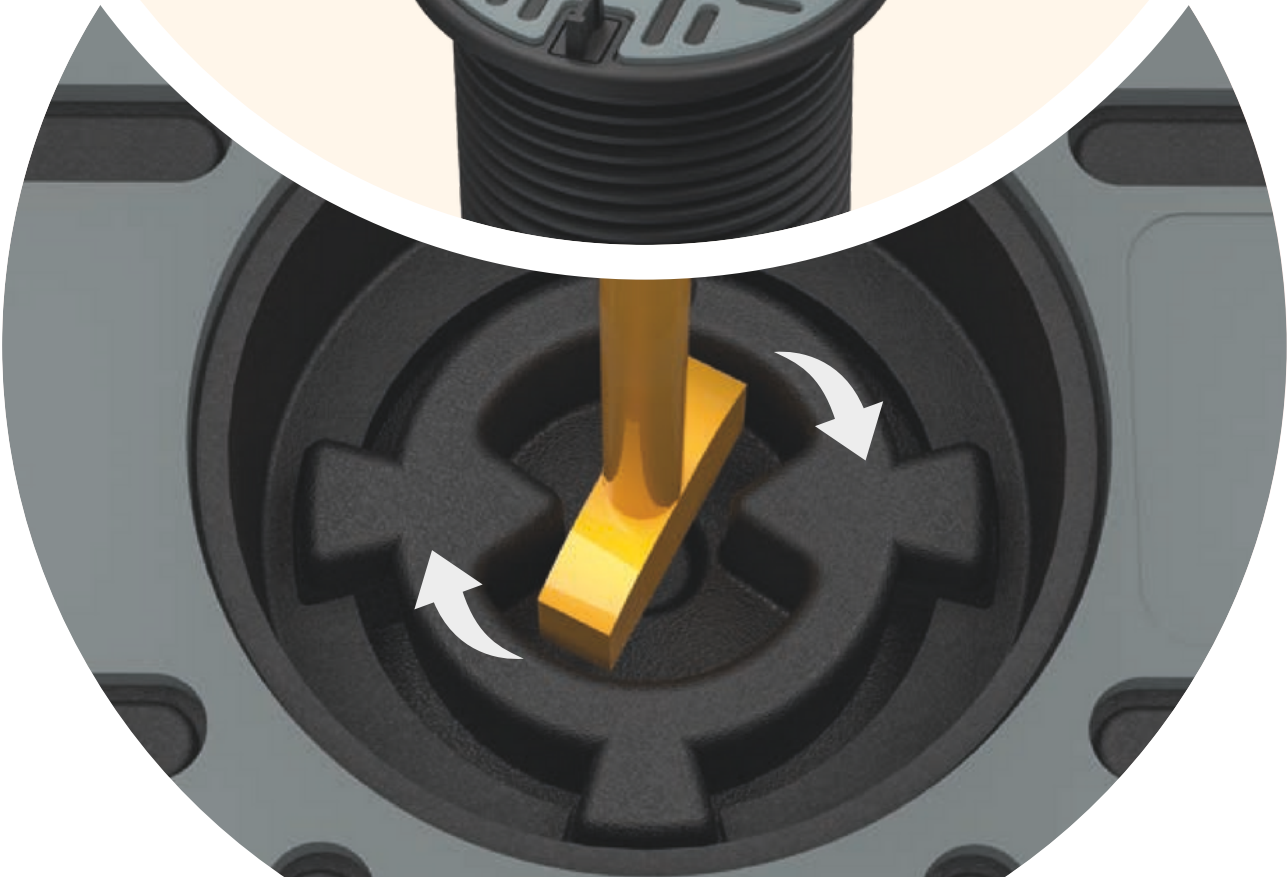
The Fix Ring allows to anchor the tilt mechanism of the LevelPro head making it completely fixed and increasing the stability of the flooring in the most complex installations (such as in the case of perimetral laying with very small tiles). To switch to the fixed-head mode, simply insert the ring into the special slot in the center of the LevelPro head.





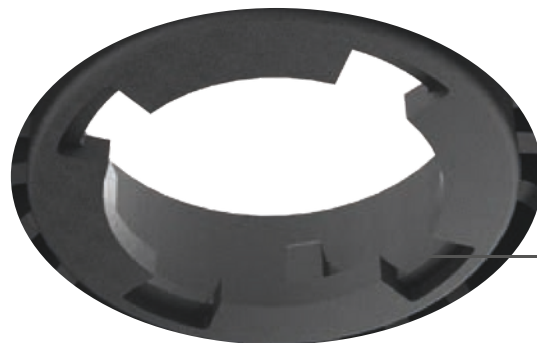
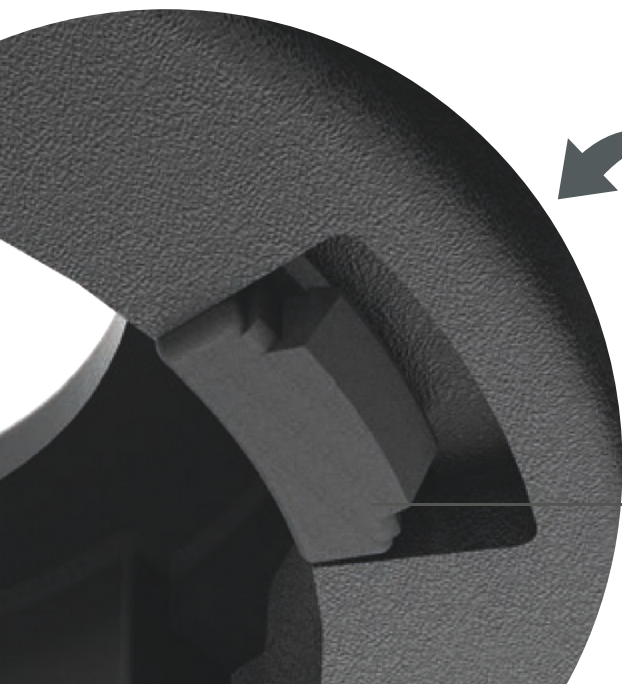
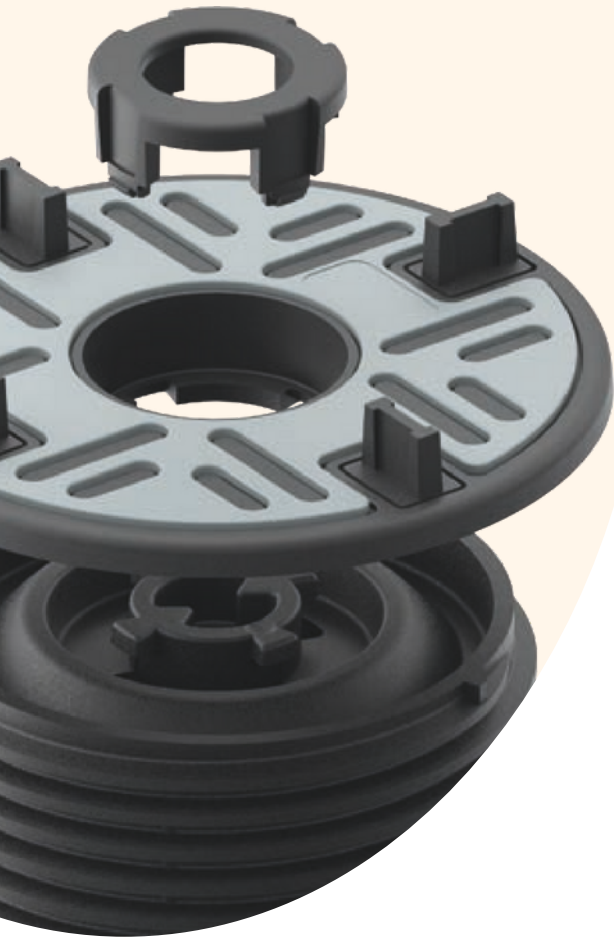
TopKey

Adjustable from above with TopKey



ROTATION LOCK

The rotation lock ring is useful to set the height from the base when the support is positioned at the center of the tile.

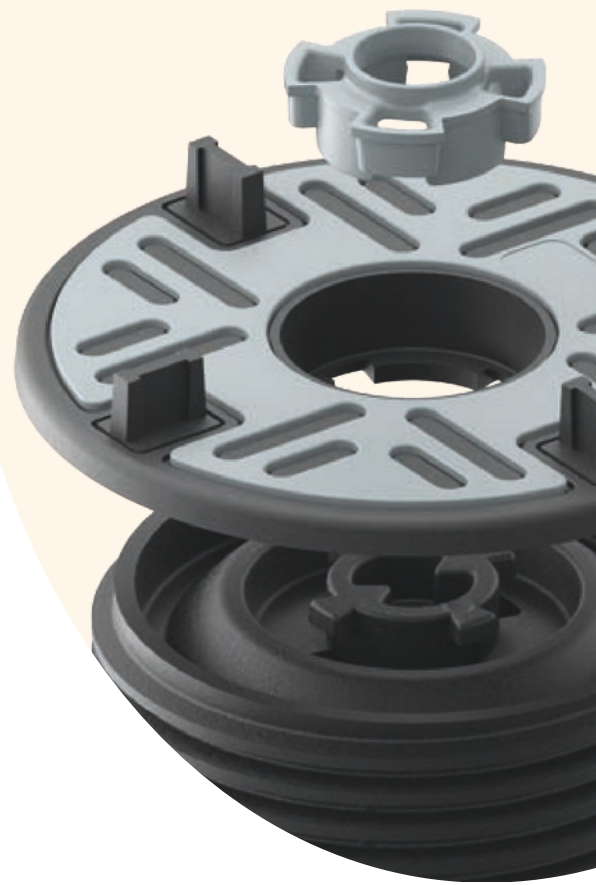


Groove for the clip/lock of the rotation lock ring

Clip/Lock of the rotation lock ring inserted in the head

LEVEL LOCK

The Level Lock is used where it is important to guarantee greater stability to the finished flooring. For example along the perimeter when placing small tiles and the light weight does not guarantee stability.



RumorStop

INSULATING MAT FOR RAISED FLOORS. RUMORSTOP IS THE NEW SOUNDPROOFING MAT OF CITYSCAPE

Installed at the base of the supports for raised floorings, it soundproofs the vibrations due to the foot traffic and creates an acoustic barrier for the spaces at the lower floors.

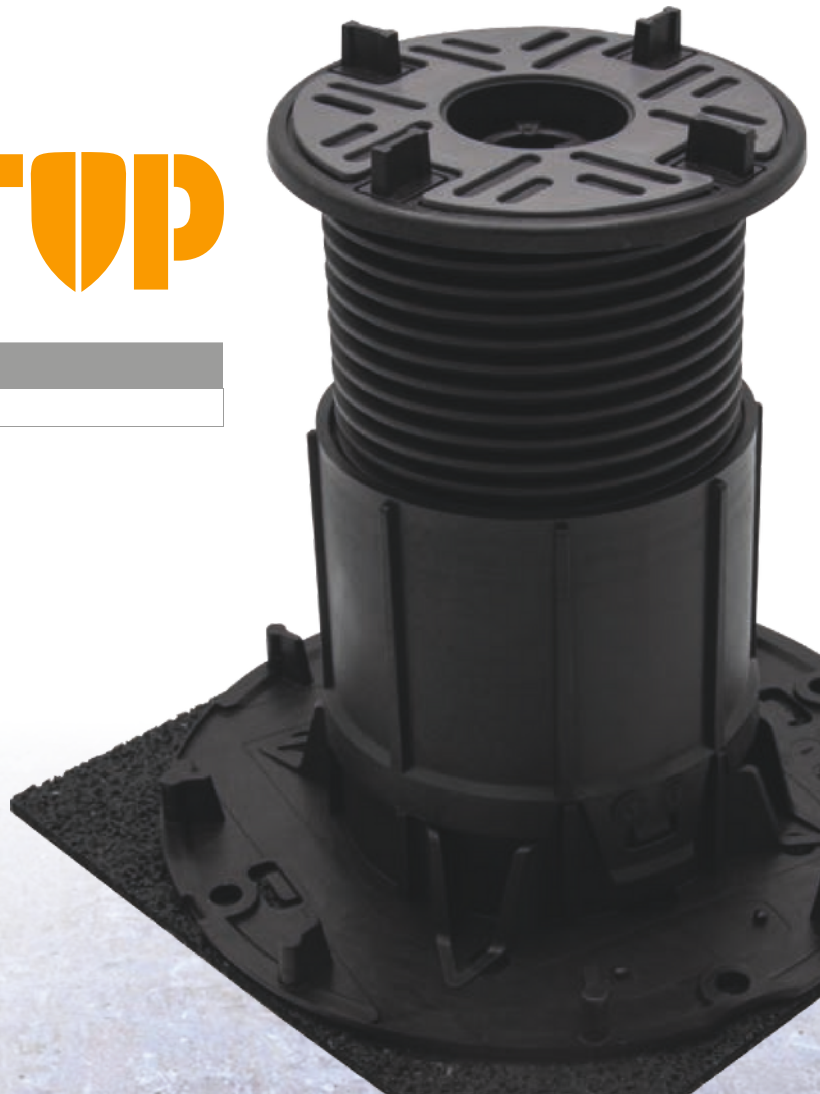
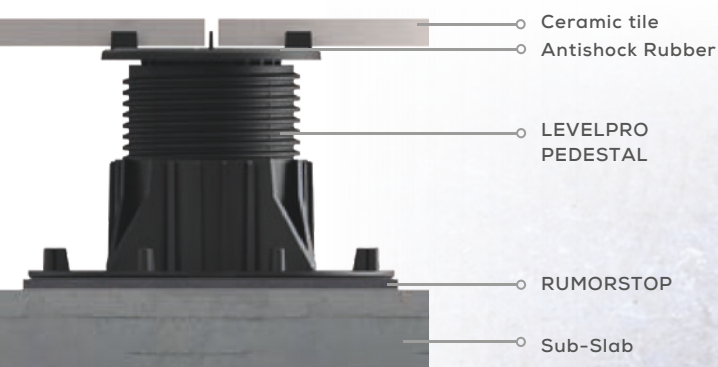
Made by the hot stamping of selected rubber granules and fibers and polyurethane adhesive, it's available with a base 7.875"x7.875" and a thickness of 5 mm. Rumorstop fits perfectly with every kind of laying surface and it can be used with all pedestal supports of Cityscape.

RUMORSTOP

ID	Description	Pack.
RAP05	RumorStop	50

OVERALL SOUNDPROOFING UP TO 28 DB

With our set, it is possible to reduce the noise up to 28 dB.



Clips

STEP SIDECLIPS AND WALL CLIP

THE SIDECLIPS SYSTEM IS THE SIMPLEST AND QUICKEST WAY TO CREATE PRECISE STEPS AND A PERFECTLY VERTICAL RISER IN OUTDOOR RAISED FLOORING.

SIDECLIPS

In just a few steps you can use Sideclips CL-P to the perimeter supports on the head and on the base of the support. In the same way you can easily assembly the Sideclips CL-C to the corner supports on the head and under the base of the support. Between the two clips it will be possible to place the infill tile, thus creating a step with an excellent aesthetic result.

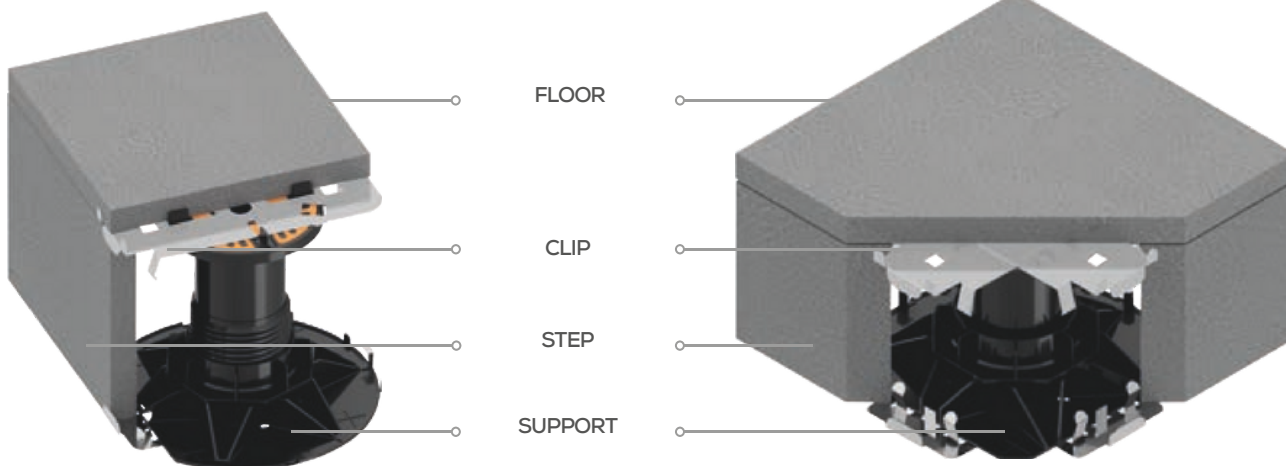
The Sideclips can be assembled, starting from 0.875".

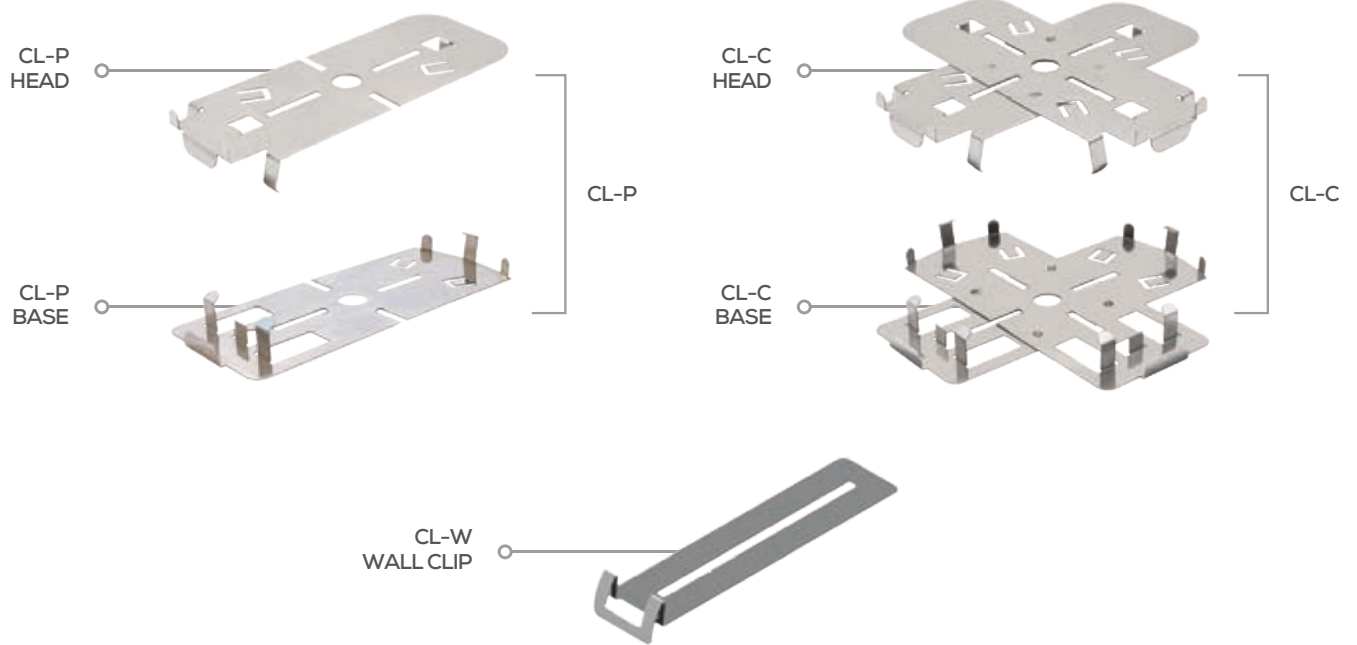
WALL CLIP

The Wall Clip is used close to vertical walls and allows you to always maintain the same distance between the last tile and the wall itself. The special shape of the tab is used to block the tile preventing it from sliding away.

All the Clips can only be used with head having 2 and 4 mm thick tabs. Clips CL-P and CL-C are sold in kits including the head clip and the base clip.

INSTALLATION EXAMPLES





ID	Description	Pack.
CL-W	Wall clip (Edge Spacer)	50
CL-P	Perimeter SideClip Kit	30
CL-C	Corner SideClip Kit	4



DSG

SAND, GRAVEL & GRASS SPACER

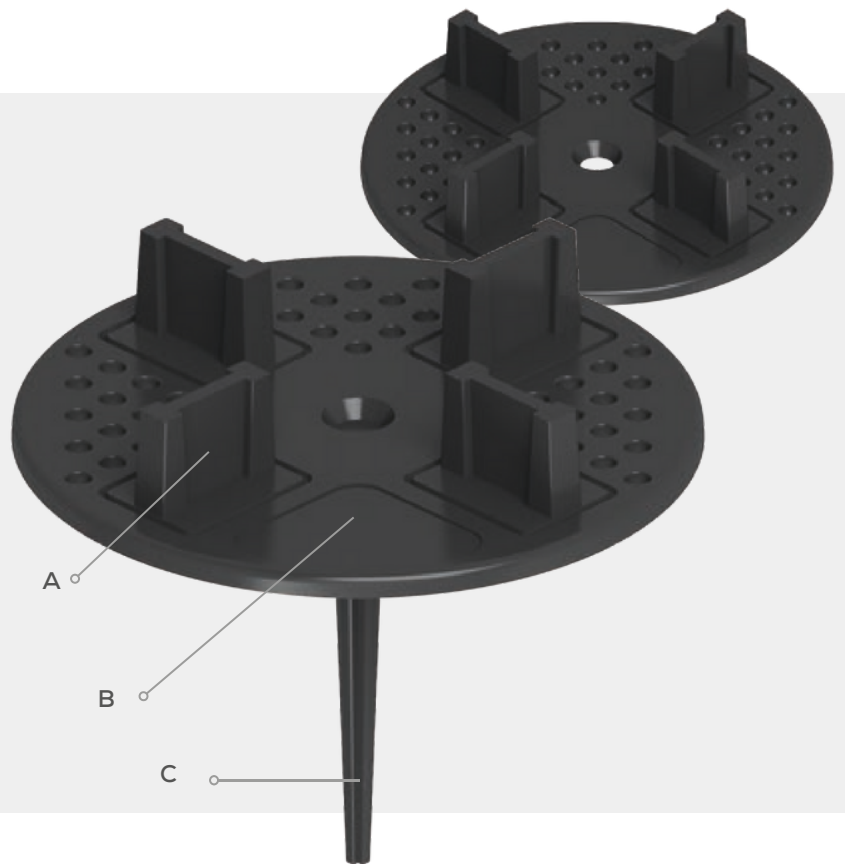
THE INSTALLATION SYSTEM WITH THE DSG SPACER IS THE SIMPLEST AND QUICKEST WAY OF CREATING FLOORING DIRECTLY ON SAND, GRAVEL OR GRASS.

DSG spacers are special supports that you can use directly on the ground. Perfect for use on sand, gravel and grass, they raise the flooring from the installation surface and create joints between the tiles.

They are available with 4 mm thick tabs and the DSG 41 version features an anchoring tip for greater strength even in soft soil.

How it is composed?

- A. 4 mm tabs that can be easily removed
- B. The flat bottom, as well as easily levelling the slabs, prevents them from moving, always keeping them aligned
- C. Anchoring tip for greater strength in soft soil (DSG 41 version only)



ID	Description	Pack.
DSG 40	Spacer	100
DSG 41	Spacer w/ Anchor Tiip	100



INSTALLATION EXAMPLES



1. Tiles
2. Spacer
3. Soft substrate





Cityscape Architectural Products

2350 Yellow Springs Road
Malvern, PA 19355
www.cityscapeproducts.com